

TECHNICAL FILE:

Pushbutton



1.- Technical specifications

Rated voltage: 230 V ~

Rated current: 10 AX

Manufactured according CEI 60.669-1 standard

Flush mounting in universal box according EN-60-670 standard

Screw terminals (accepts from 1 mm² to 2.5 mm² cross section cable)

Earth terminal M4 screw

2.- Material characteristics

Body: Polycarbonate

Glow wire test: 850 °C

Terminals: Brass CuZn33

Screws: Steel CQ15. Slotted Phillips pan head. Metric thread M3.5

Button: Brass (chrome, antique bronze and golden finish)

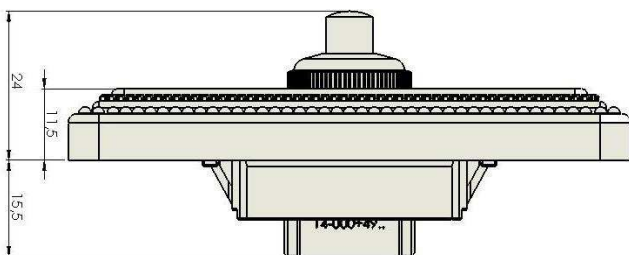
Nut: Brass (chrome, antique bronze, golden)

Frame: Cast brass (Anthracite, satin nickel, graphite, golden and antique bronze finish)

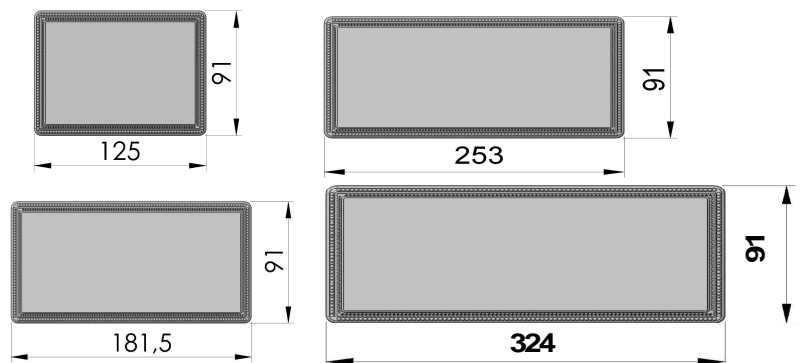
3.- Certificate approvals

CE certificate

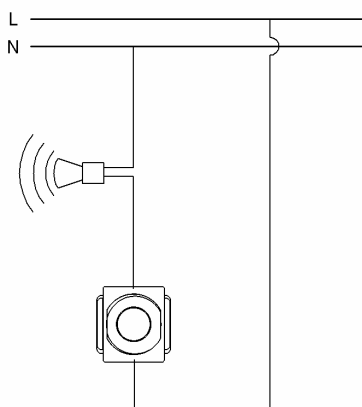
Height dimensions (size in mm)



Frame dimensions (size in mm)



Installation diagram



Supply Options

You can order different frame sizes and you can combine other mechanisms with a pushbutton depending on the frame you choose