

TECHNICAL FILE:

Switches (single pole, two-way switch, crossing switch, double single pole switch, double two-way switch and double pole switch)



1.- Technical specifications

Rated voltage: 230 V ~

Rated current: 10 AX

Manufactured according to standard EN-UNE 60.669-1

Screwless terminals (accepts conductors of nominal cross section between 1 mm² a 2.5 mm²)

2.- Material characteristics

Main body: Polyamide 66

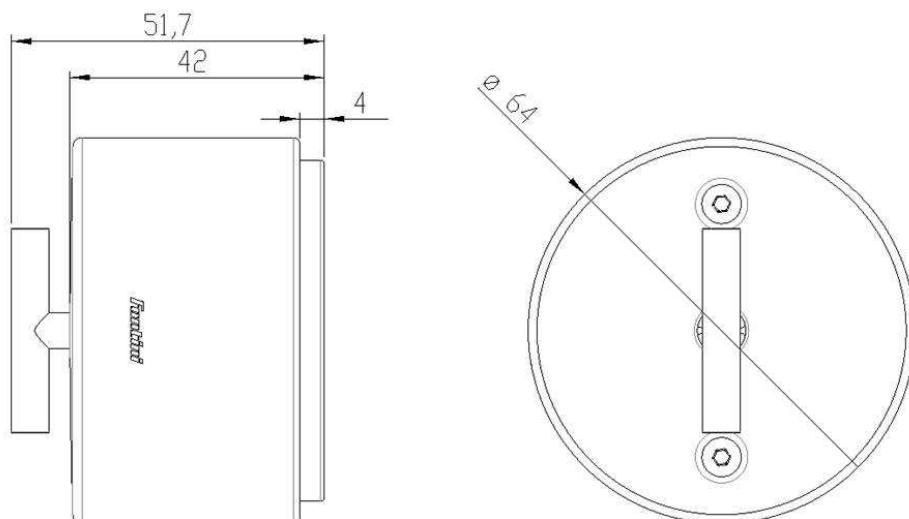
Glow wire test: 850 °C

Terminals: CuZn33

Shell: Porcelain

Knob: Brass

Dimensions (size in en mm)



Installation diagram:

