

TECHNICAL FILE:

Momentary switch (retractive switch)



1.- Technical specifications

Rated voltage: 250 V ~

Rated current: 10 AX

Springed single-pole switch. Returns when released.

Compatible with KNX or any other domotic systems

Manufactured according EN 60.669-1 standard

Flush mounting in universal box according EN-60-670 standard

Screw terminals (accepts from 1 mm² to 2.5 mm² cross section cable)

Any plate size according to your requirements.

2.- Material characteristics

Body: Polyamide 66

Glow wire test: 850 °C

Terminals: Brass CuZn33

Screws: Steel CQ15. Slotted Phillips pan head. Metric thread M3.5

Toggle: Zamak

Ring: Brass (optional)

Plate: AISI 304 Stainless steel, aluminium, brass and Corian®.

Frame: Zamak (optional)



3.- Certificate approvals

CE certificate

Height dimensions (size in mm)

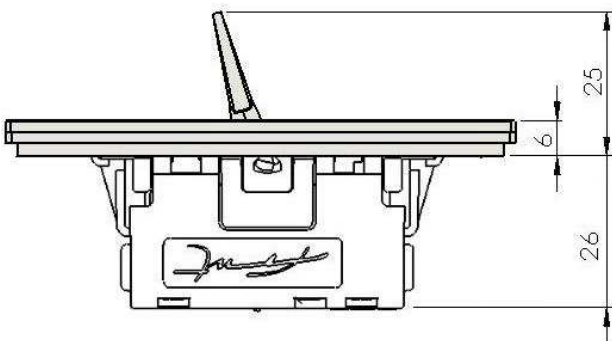
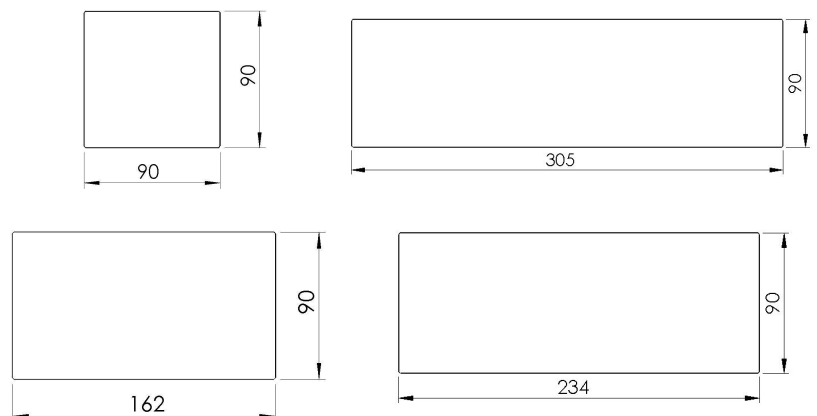


Plate dimensions (size in mm)



Installation diagram

