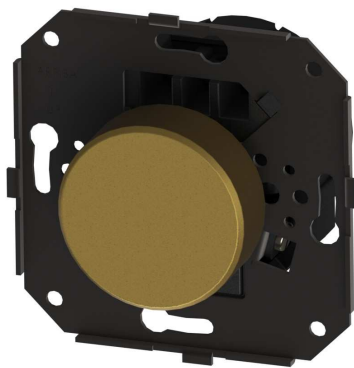


TECHNICAL FILE:

Electromechanical dimmer



1.- Technical specifications

Rated voltage: 250 V ~ 50 Hz

Manufactured according IEC 60.669-2-1 standard

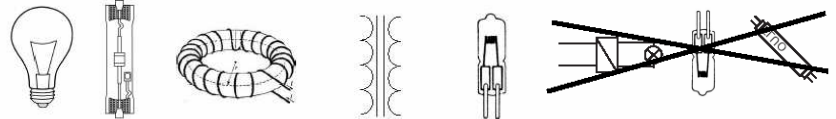
Screw terminals (accepts from 1 mm² to 2.5 mm² cross section cable)

Protected against overload with a fuse of 2.5 A.

2.- Load specifications

60-500W

90-500W



Incandescent and halogen bulbs (GU10, G9 and similar lamps) from 60 to 500 W.

Toroidal transformers from 60 to 500 W.

Electromechanical transformers from 90 to 500 W.

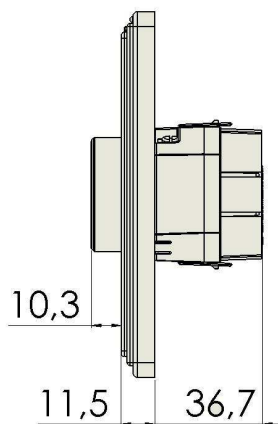
Note: Always use quality transformers. Noise levels may vary depending upon the type and quantity of transformers used).

Do not use for electronic dimmable transformers, energy saving bulb, fluorescent tubes or fans.

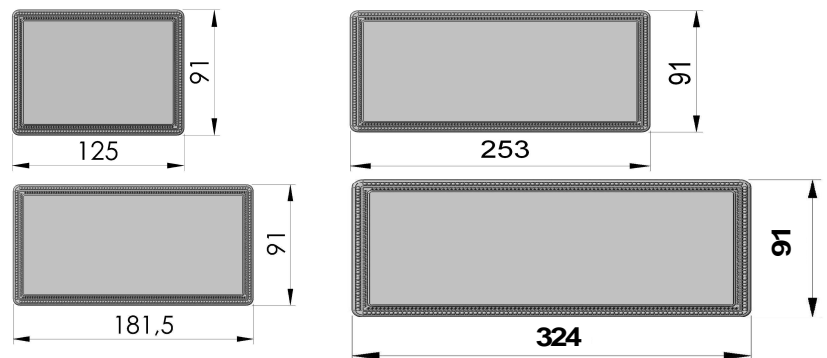
3.- Certificate approvals

CE certificate

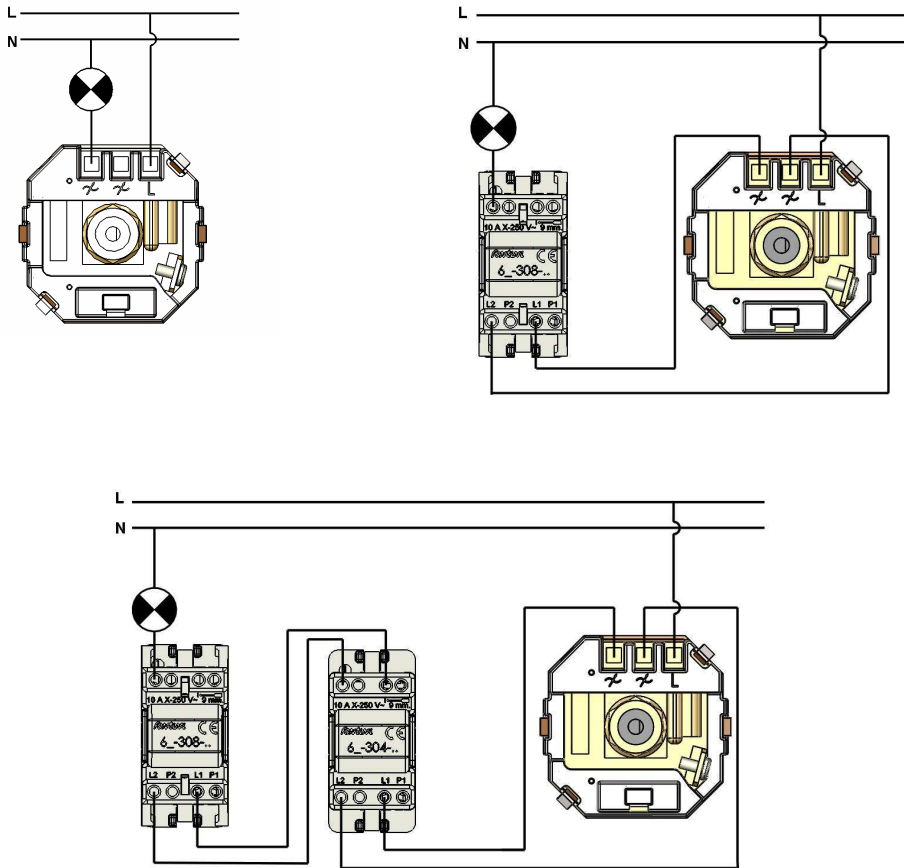
Height dimensions (size in mm)



Frame dimensions (size in mm)



Installation diagram



Supply Options

You can order different frame sizes and you can combine other mechanisms with a dimmer depending on the frame you choose