

TECHNICAL FILE:

RCA Audio socket



1.- Technical specifications

RCA Multimedia Jacks allow the transmission of baseband analog audio signals over twisted pair cables. Recommended for use where distances are below than 40 m.

Flush mounting in universal box according EN-60-670 standard

Red dielectric RCA (Composite audio, Analogue, Right Channel)

White dielectric RCA (Composite audio, Analogue, Left Channel)

2.- Material characteristics

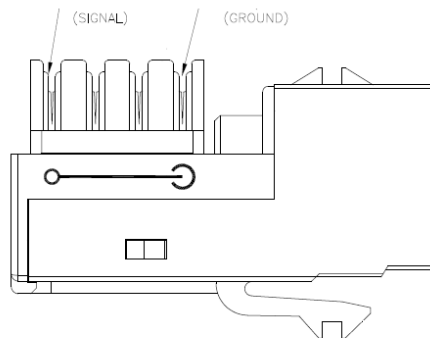
Body: ABS

Frame: Cast brass (Anthracite, satin nickel, graphite, golden and antique bronze finish)

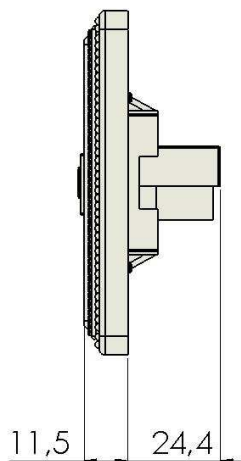


3.- Certificate approvals

CE certificate



Height dimensions (size in mm)



Frame dimensions (size in mm)

