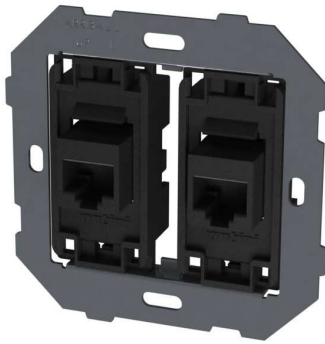


TECHNICAL FILE:

RJ 45 Data socket



1.- Technical specifications

Brand: AMP

Jack type : RJ45

Performance category: Category 6

Wiring pattern : Universal

Shielded: No

Flush mounting in universal box according EN-60-670 standard

Can be combined with telephone socket.

Other categories , shielded and dust cover on demand.

2.- Material specifications

Housing material: Polycarbonate

UL Flammability Rating : UL 94V-0

Contact Base Material : Phosphor Bronze

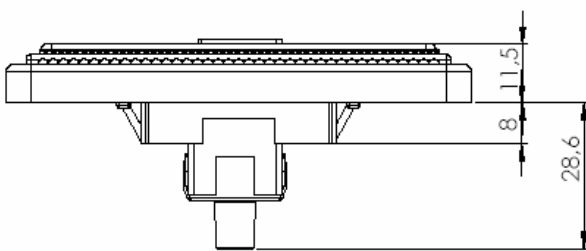
Contact Plating, Mating Area, Material : Gold

Contact Plating, Mating Area, Thickness (µm) : 1.27

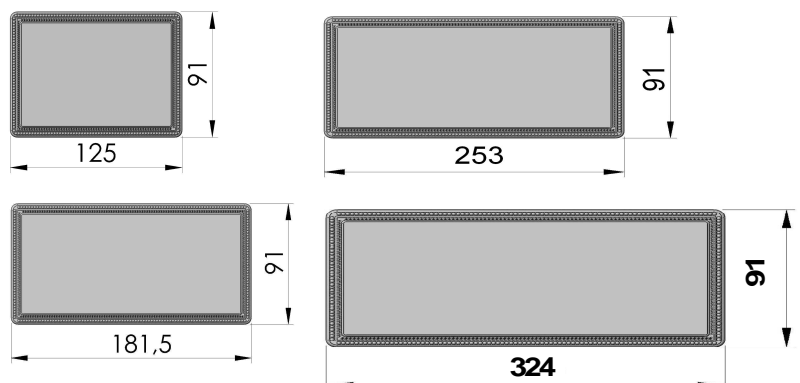
3.- Certificate approvals

ROHS compliance

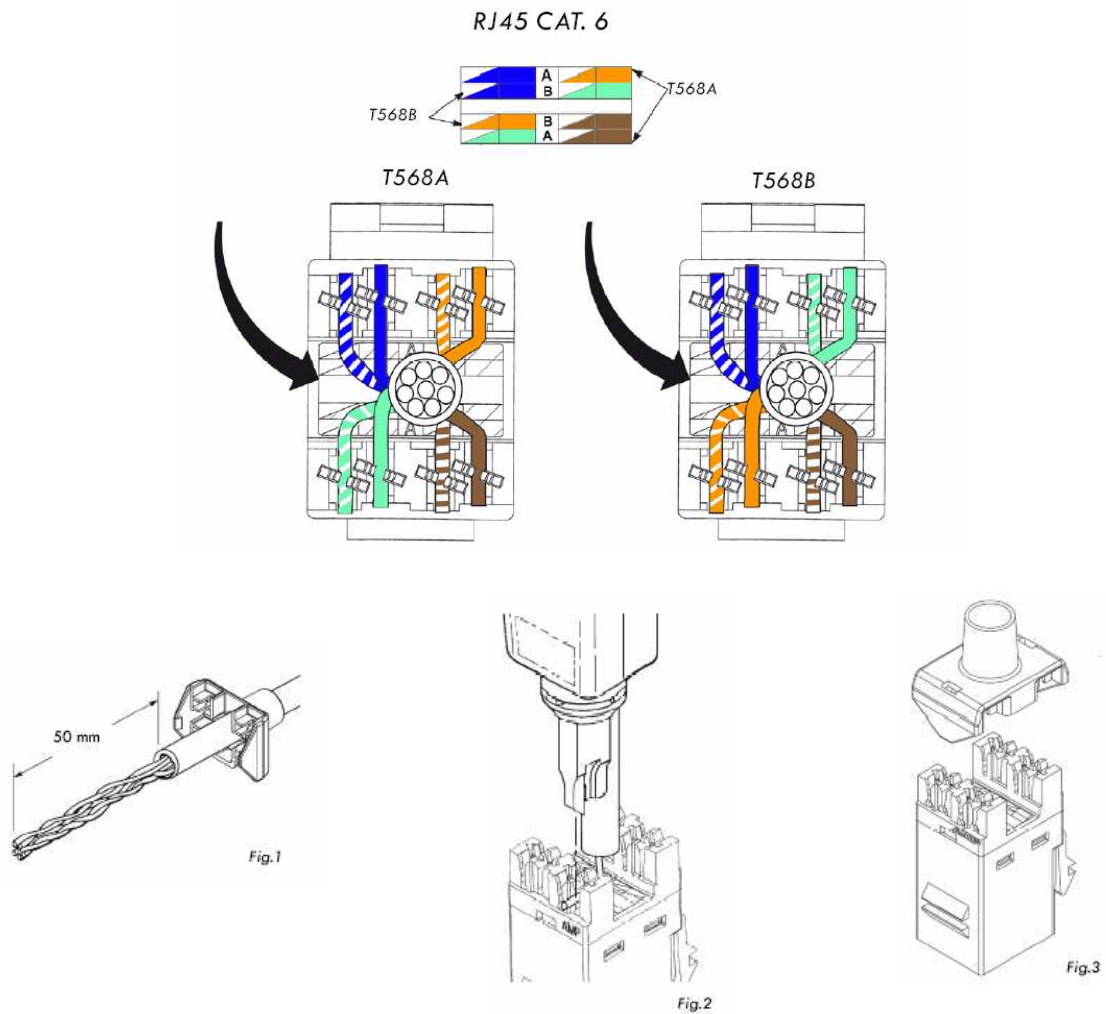
Height dimensions (size in mm)



Frame dimensions (size in mm)



Installation instructions



Supply Options

You can order different frame sizes and you can combine other mechanisms with a RJ45 data sockets depending on the frame you choose