

TECHNICAL FILE:

Universal Temperature Controller



1.- Technical specifications

The universal Temperature controller combines controllers for 3 different applications:

- Room Temperature controller
- Room temperature controller with limiter
- Floor heating controller

Rated voltage: 230 V ~ 50 Hz

Temperature resolution 0,1 °C steps

Output Relay NO contact

Switching current 10mA .10(4)A AC; 230 V~

Output signal PWM (Pulse Width modulation) or ON/OFF

PWM cycle time adjustable

Hysteresis adjustable (ON/OFF only)

ECO-Input e.g. for night set-back via external clock (230V Input)

Power consumption ~ 1,2 W

Ambient temperature without condensation

Operating 0 °C ... 40 °C

Storage -20 °C ... 70 °C

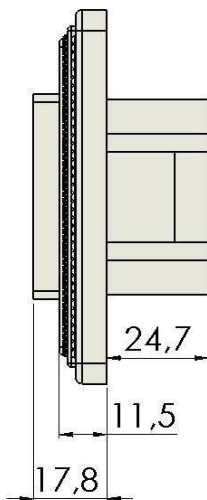
Rated impulse voltage 4 kV

Ball pressure test 115°C

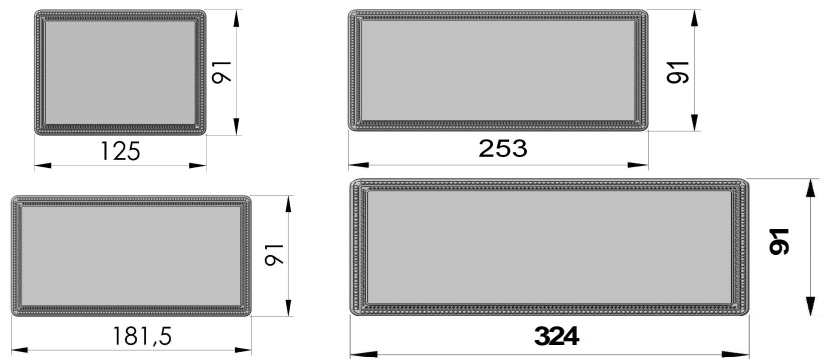
Degree of protection IP 30

Software class A

Height dimensions (size in mm)



Frame dimensions (size in mm)



2. Select application

Universal Temperature Controller can be set as ROOM, FLOOR or LIMITER by selecting installer settings on MENU option.

Depending on selected application please refer on different options to control.

Application for *ROOM* can be used to control the room temperature in conjunction with:

- Thermal actuators for e.g. water based floor heating or convector heaters
- Oil or Gas heaters
- Circulation pumps
- Heat pumps
- Electric convector heaters, ceiling and storage heating
- Cooling equipment

Application for *FLOOR* can be used to control the floor temperature in conjunction with:

- Direct floor heating
- Floor temperature conditioning systems

In order to measure the floor temperature the remote sensor has to be used

Application for *LIMITER* can be used to control the room temperature in conjunction with:

- Electrical floor heating systems where the floor temperature has to be limited to a certain value
- Hot-water floor heating systems in conjunction with thermal actuators

In order to measure the floor temperature the remote sensor has to be used

3. Installation

Caution!

This device must be installed by a qualified electrician, according to the wiring diagram on the device and in compliance with all applicable safety regulations. To maintain compliance with Protection Class II, user access to the rear of the device must be prevented. This device is used to control the temperature only in dry rooms, under normal environmental conditions. This electronic device conforms to EN 60730, It is an "independently mounted control" and works according to operating principle 1C.

The controller should be mounted at a location in the room which:

- can be easily accessed
- is free of curtains, cabinets, shelves, etc.
- allows free air circulation
- is not exposed to direct sunlight
- is not draughty (when doors or windows are opened)
- is not directly influenced by the source of heat/cooling
- is not located on an outer wall
- is approx. 1.5 m above the floor.

