

TECHNICAL FILE:

R-TV-SAT OUTLET



1.- Technical specifications

<i>Frequency Margin</i>		<i>5 - 47</i>	<i>47 - 862</i>	<i>950 - 2400</i>
<i>Attenuation (dB)</i>	<i>IN -> TV Output</i>	<8	4,5±2	>9
	<i>IN -> SAT Output</i>	>8	>6	1,5±1(*)
	<i>IN -> R Output</i>	<8	4,5±2	>9
<i>Flatness (dB)</i>	<i>IN -> TV Output</i>	<3	<3	----
	<i>IN-> SAT Output</i>	----	----	<3
<i>Output rejections (dB)</i>	<i>TV-SAT</i>	>8	>10	>8
	<i>TV-R</i>	>8	>8	>9
<i>DC Pass (mA)</i>	<i>TV Output</i>	----		
	<i>IF Output</i>	350		
	<i>R Ouput</i>	----		

(*) <4 dB @ 950 MHz

2.- Material characteristics

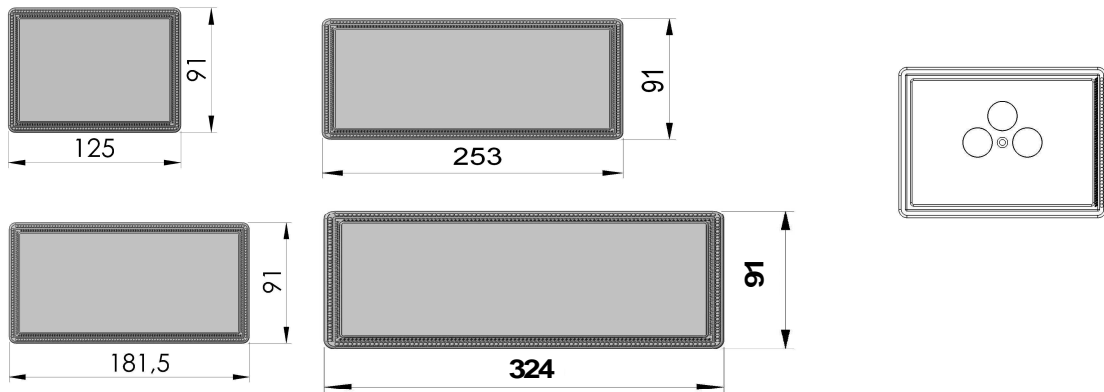
Shell: Zamak

Frame: Cast brass (Anthracite, satin nickel, graphite, golden and antique bronze finish)

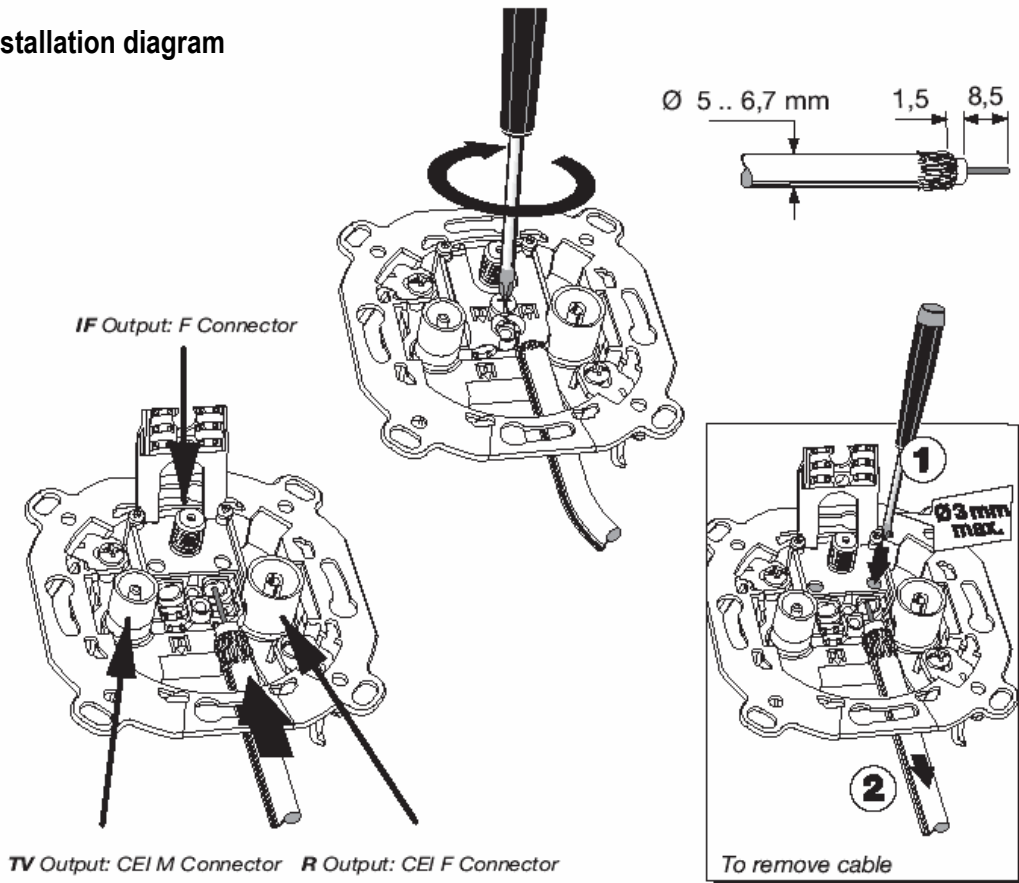
3.- Certificate approvals

CE certificate

Frame dimensions (size in mm)



Installation diagram



Supply Options

You can order different frame sizes and you can combine other mechanisms with a R/TV/SAT Outlet depending on the frame you choose