

TECHNICAL FILE:

USB CHARGER

1.- Technical specifications

Input voltage: 100-240 V~

Input current: 0,3 A

Frequency 50-60 Hz

Output voltage: 5 V

Output current: 2,6A

Depth of mechanism: 19 mm

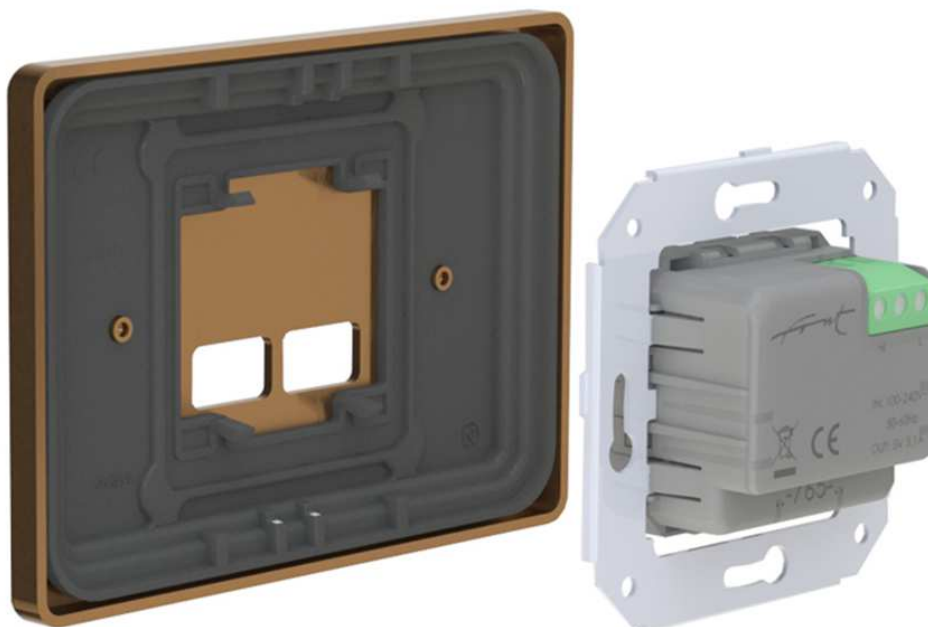
2.- Connection types

2 USB connector

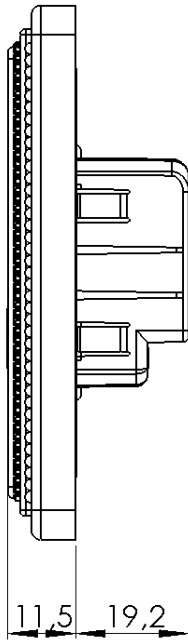
3.- Certifications

EMC compliance

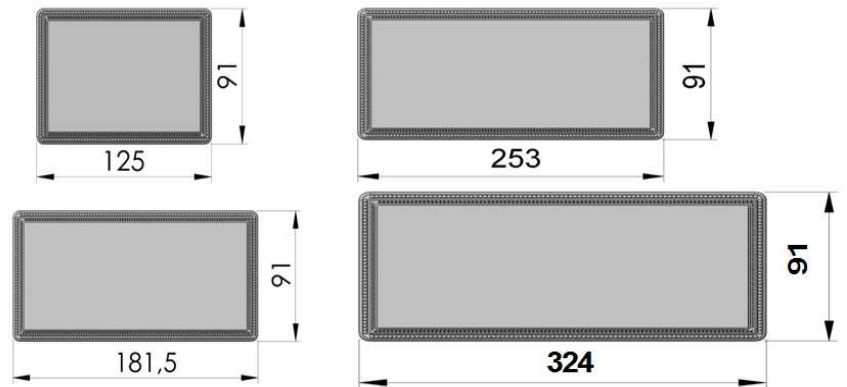
CE certificate



Height dimensions (mm)



Frame dimensions (mm)



Installation diagram

