

**TECHNICAL FILE:**

Pushbutton

1.- Technical specifications

Rated voltage: 230 V ~

Rated current: 10 AX

Manufactured according to standard EN-UNE 60.669-1

Screwless terminals (accepts conductors of nominal cross section between 1 mm² a 2.5 mm²)**2.- Material characteristics**

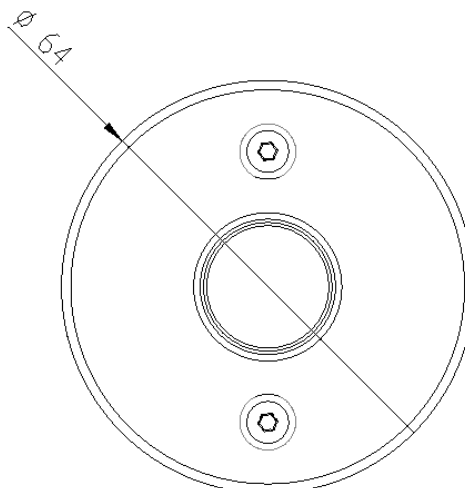
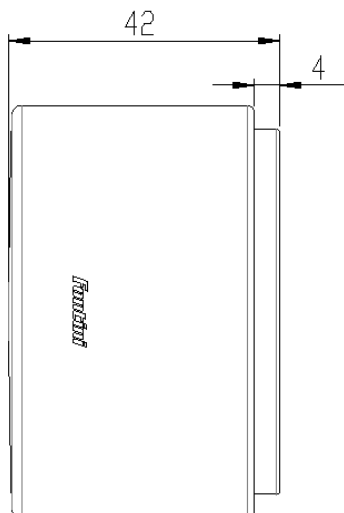
Main body: Polyamide 66

Glow wire test: 850 °C

Terminals: CuZn33

Shell: Porcelain

Button: Brass

Dimensions (size in en mm)

Installation diagram:

