

TECHNICAL FILE:

RJ 45 Data socket

1.- Technical specifications

Brand: AMP

Jack type : RJ45

Performance category: Cat 6

Wiring pattern : Universal

Shielded: No

Flush mounting in universal box according EN-60-670 standard

Can be combined with RJ11 socket.

2.- Material specifications

Housing material: Polycarbonate

UL Flammability Rating : UL 94V-0

Contact Base Material : Phosphor Bronze

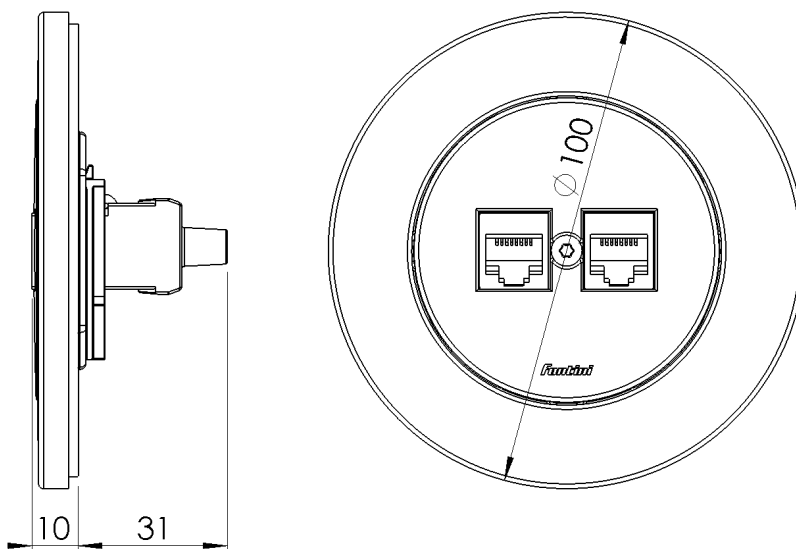
Contact Plating, Mating Area, Material : Gold

Contact Plating, Mating Area, Thickness (μm) : 1.27

3.- Certificate approvals

ROHS compliance

Product dimensions(sizes in mm)



Installation instructions

