

TECHNICAL FILE:

Rotary momentaneous switch

1.- Technical specifications

Rated voltage: 250 V ~

Rated current: 10 AX

Manufactured according CEI 60.669-1 standard

Surface mounting on wall and universal box according standard EN-60.670

Screwless terminals

Works as a momentaneous switch, turns around 45° and returns back to initial position.

One single output by turning clockwise or unclockwise.

To be used for domotic, home automation systems, electronic dimmers and with relays.

2.- Material characteristics

Body: Polyamide 66

Glow wire test: 850 °C

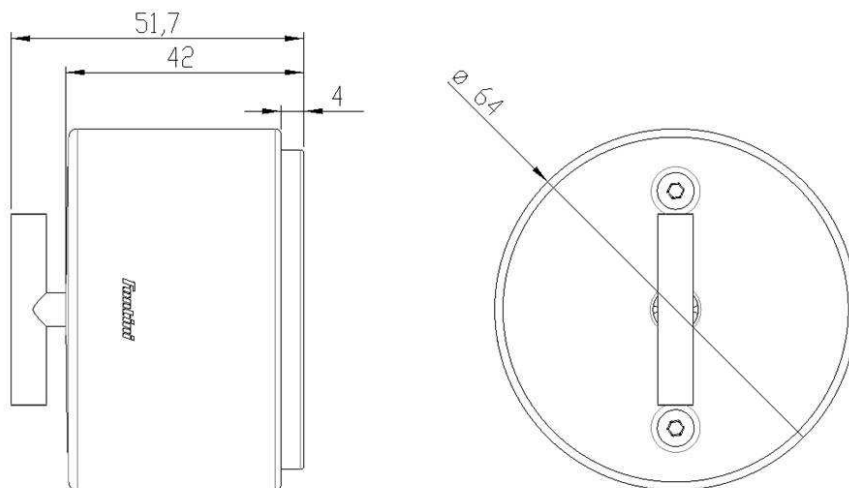
Terminals: Brass CuZn33

External body: Porcelain

Knob: Brass



Dimensions (size in mm)



Conexion diagram:

