



TECHNICAL FILE:

Momentaneous switches

1.- Technical specifications

Rated voltage: 250 V ~

Rated current: 10 AX

Protection degree: IP20

Manufactured according to EN 60.669-1

Flush mounting in universal box according EN-60.670 standard

Screwless terminals (accepts from 1 mm² to 2.5 mm² cross section cable)

Works as a momentaneous switch, turns around 45° and returns back to initial position.

One single output by turning clockwise or unclockwise.

To be used for domotic, home automation systems, electronic dimmers and with relays.

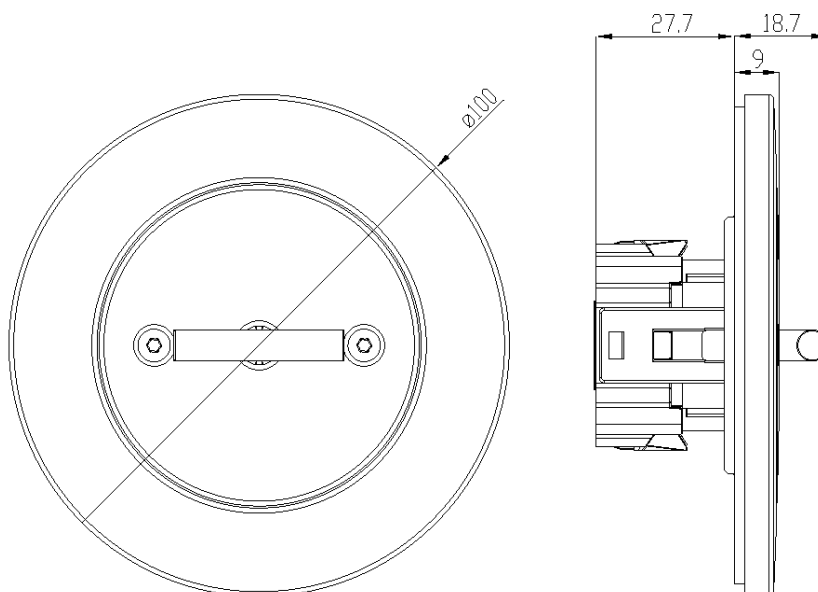
2.- Material characteristics

Main body: Polyamide 66 (PA66)

Glow wire test: 850 °C

Terminals: CuZn33 and stainless steel

Product dimensions (sizes in mm)



Conexion diagram:

